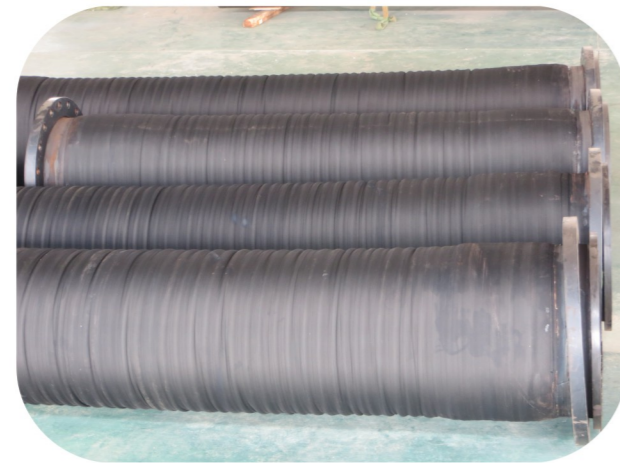


## Steel and Rubber Composite Pipes

Rubber composite pipes produced by Naipu are in two series of rubber-lined steel pipes and and rubber mining hoses, used in wear-resistance and corrosion-resistant pipelines transferring ore slurries or tailings.



Rubber-lined Steel Pipes

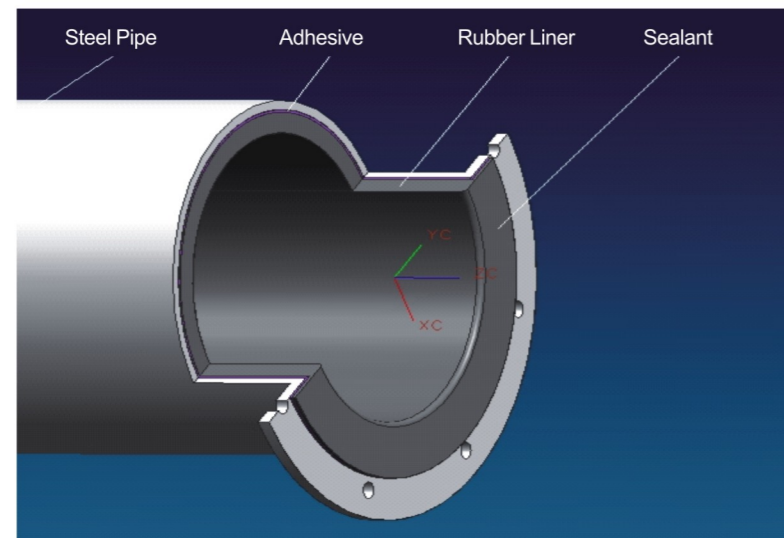


Rubber Mining Hoses

## I. Steel and Rubber Composite Pipes

### 1. Structure of Steel and Rubber Composite Pipes

Steel and Rubber Composite Pipe makes use of ordinary steel pipe as its skeleton while abrasion, corrosion and heat resistance imported rubber is lined internally, both of which are combined with high performance adhesives through special technology. With combined advantages of both steel and rubber materials, this composite pipe becomes a prior selection in piping systems in modern mining operations.



### 2. Features of Steel and Rubber Composite Pipes

- Wide range of application
- Super impact resistance
- Wear resistance
- Corrosion resistance
- Long service life
- Reusable
- Easy installation and maintenance

### 3. A Reference List

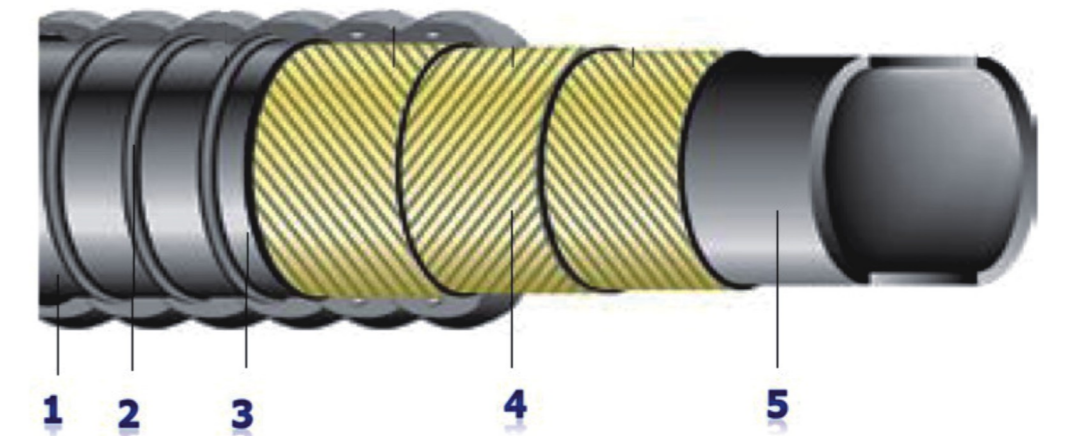


Rubber-lined pipe used on site

## II. Rubber Mining Hoses

### 1. Structure of Rubber Mining Hoses

Rubber mining hose for transferring slurries is compositely structured with multi-layer rubber and steel wire skeleton and non-metal reinforcement layers through special technology. The innermost wear layer is made of premium natural rubber emulsion treated with nano compounds and liquid-phase technology, and is resistant to slurry abrasion. Naipu Mining Machinery designs and produces a variety of special spools to suit special duties and conditions.



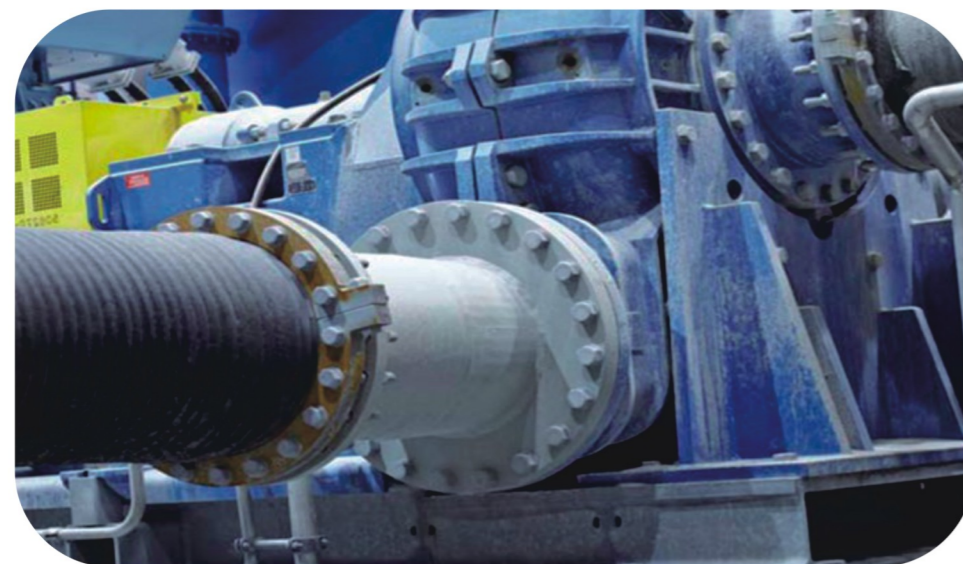
1 Outer Rubber Cover; 2 Steel Wire Skeleton; 3 Bonding Layer; 4 Composite Material Layer; 5 Abrasion Resistant Layer

### 2. Performance and Features

- Reelability, impact resistance
- Abrasion and corrosion resistance, ageing resistance
- Wide range of temperature, from -50~95°C
- Anti static pressure, high tensile resistance
- Slow scaling, energy saving, easy mounting



### 3. Typical Cases



Rubber Mining Hose applied on site



Rubber Mining Hose applied on site



Global Cooperation Jointly Shared Future

Add: No. 4 Industrial Rd., Shangrao Economic Development Zone  
Zc: 334100  
Tel: 86-793-8457309 8469669  
Fax: 86-793-8461032  
http: [www.naipu.com.cn](http://www.naipu.com.cn) E-mail: [naipu@naipu.com.cn](mailto:naipu@naipu.com.cn)

## Rubber Composite Pipes



 JIANGXI NAIPU MINING MACHINERY AND NEW MATERIALS CO., LTD  
[HTTP://WWW.NAIPU.COM.CN](http://www.naipu.com.cn)