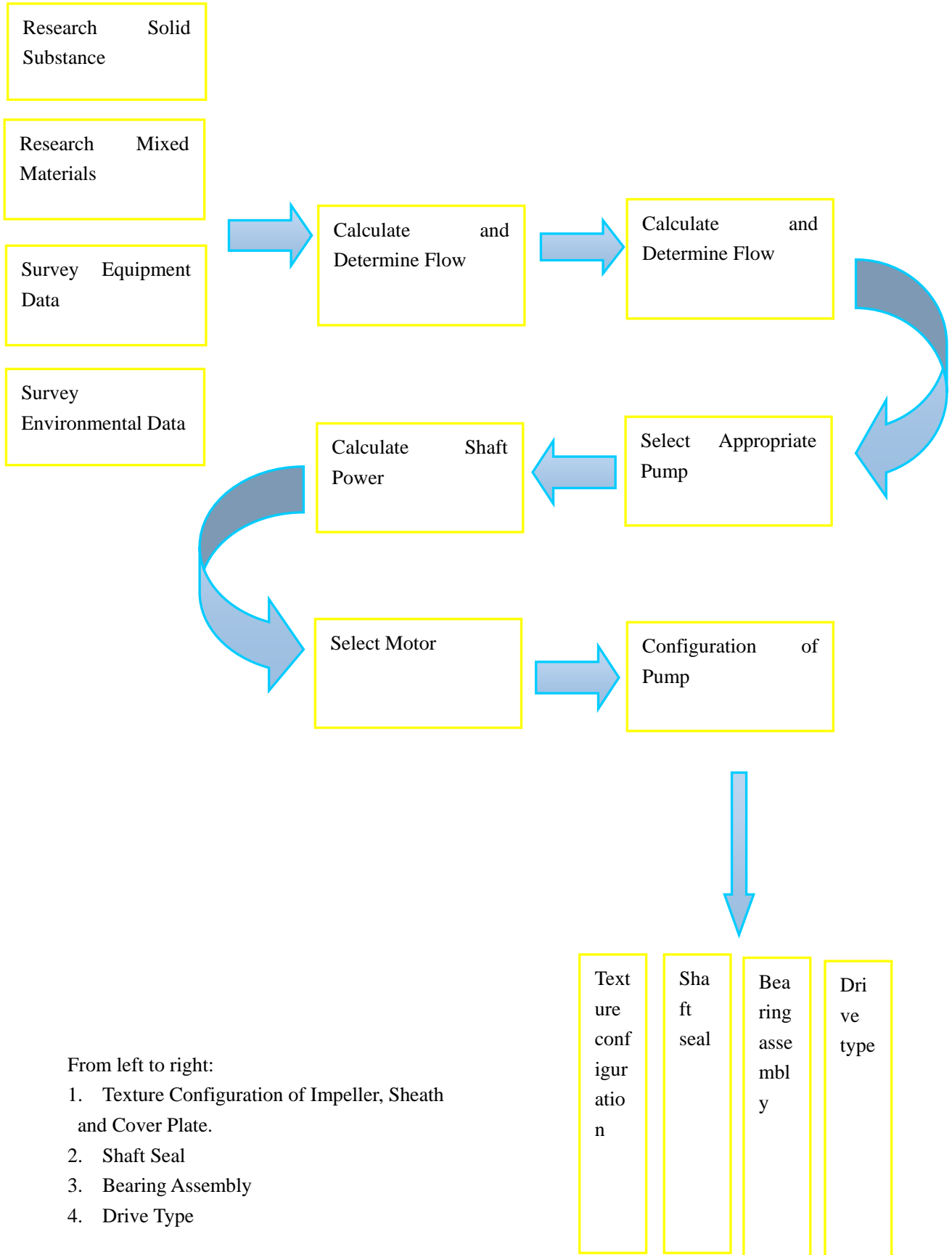




NZJA Heavy Slurry Pump

Customer Services of Heavy Slurry Pump



From left to right:

1. Texture Configuration of Impeller, Sheath and Cover Plate.
2. Shaft Seal
3. Bearing Assembly
4. Drive Type

Contact Us

Add: No.4 Industrial Rd., Shangrao Economic Development Zone, Shangrao City, Jiangxi Province, China

Tel: +86-793-8469669 or +86-793-8457309

Fax: +86-793-8461032

Email: penghuafen@naipu.com.cn



Parameters of Heavy Slurry Pump

Model	Flow Velocity Q(m ³ /h)	Lifting Height (m)	Speed n(r/min)	Clear Water Efficiency (%)	NPSHr (m)
25NZJA-M	28	43	3300	54.8	4.80
25NZJA-R	22	21	2400	49.3	5.20
40NZJA-M	48	27	2400	47.0	6.10
40NZJA-R	38	20	1950	51.5	3.40
50NZJA-M	110	43	2400	63.5	5.40
50NZJA-R	60	21	1700	62.0	2.80
75NZJA-M	180	34	2000	67.5	6.40
75NZJA-R	100	15	1300	67.0	3.60
100NZJA-M	310	33	1300	70.0	6.20
100NZJA-R	250	22	1050	71.0	4.50
150NZJA-M	720	49	1100	71.8	7.60
150NZJA-R	520	25	750	71.0	7.20
200NZJA-M	1100	42	750	71.0	8.40
200NZJA-R	740	24	550	75.6	6.00
250NZJA-M	1430	35	650	80.0	6.40
250NZJA-R	1160	22	500	81.0	5.00
300NZJA-M	2150	42	525	77.0	8.50
300NZJA-R	1900	21	375	78.0	5.20
350NZJA-M	2800	32	425	82.0	7.10
350NZJA-R	2240	22	350	82.0	5.10
450NZJA-M	4600	31	325	84.8	7.70
450NZJA-R	3600	22	275	81.6	4.80
550NZJA-M	5400	38	325	86.0	5.00
650NZJA-M	7600	36	275	87.0	4.50
750NZJA-M	9000	40	240	89.0	4.00

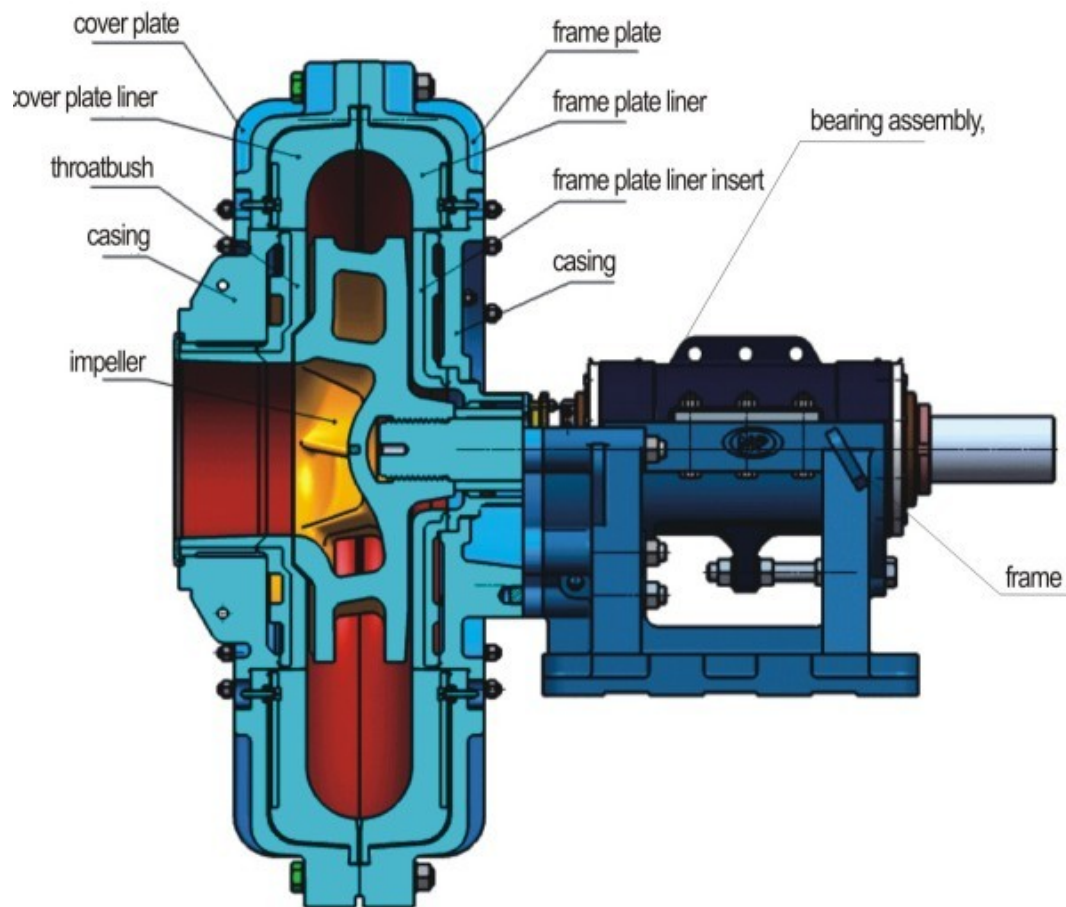
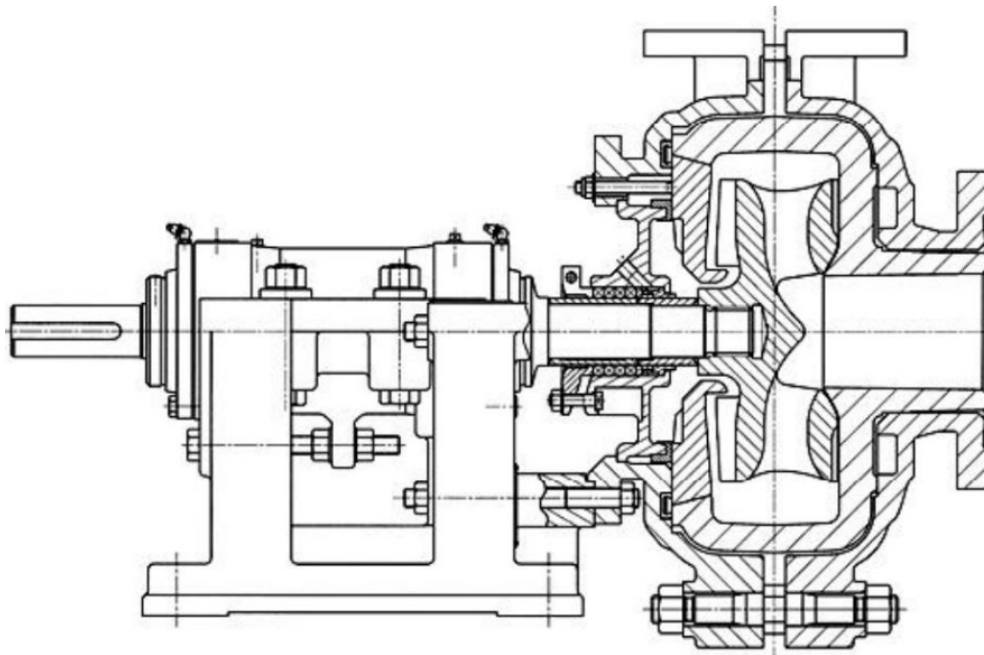
Contact Us

Add: No.4 Industrial Rd., Shangrao Economic Development Zone, Shangrao City, Jiangxi Province, China

Tel: +86-793-8469669 or +86-793-8457309

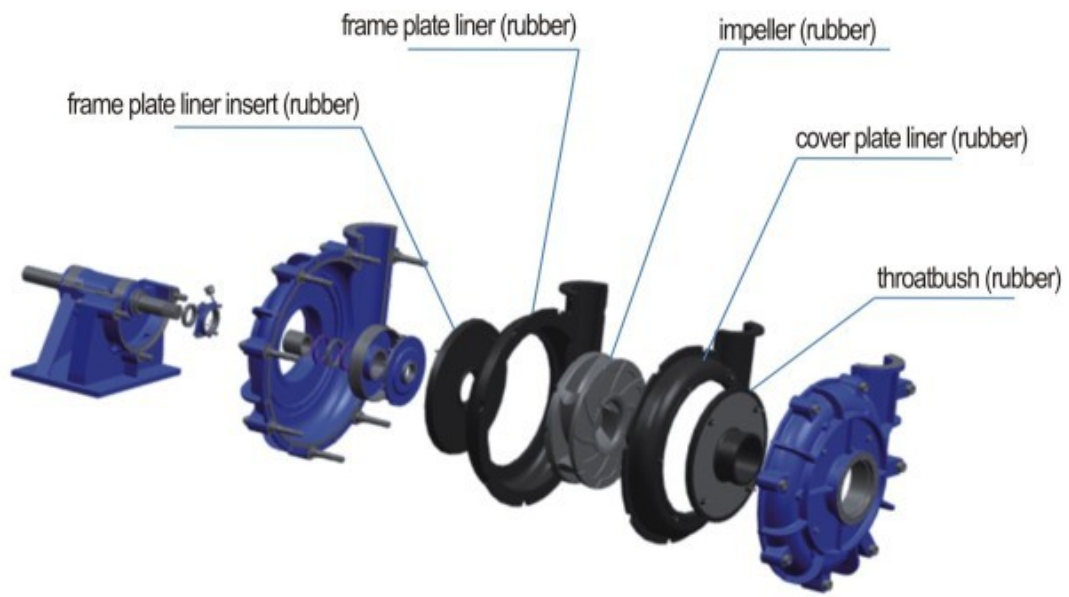
Fax: +86-793-8461032

Email: penghuafen@naipu.com.cn



Contact Us

Add: No.4 Industrial Rd., Shangrao Economic Development Zone, Shangrao City, Jiangxi Province, China
Tel: +86-793-8469669 or +86-793-8457309
Fax: +86-793-8461032
Email: penghuafen@naipu.com.cn



Set of rubber wet ends

Contact Us

Add: No.4 Industrial Rd., Shangrao Economic Development Zone, Shangrao City, Jiangxi Province, China
Tel: +86-793-8469669 or +86-793-8457309
Fax: +86-793-8461032
Email: penghuafen@naipu.com.cn